

PART NAME

PLASTICASE (STYLE C)

PART No.

PC-11432

**MATERIAL:**

TOP & BOTTOM \_\_\_\_\_ IMPACT RESISTANT ABS  
FRONT & REAR PANELS \_\_\_\_\_ 0.047 THK. ALUMINUM  
INTERNAL CHANNELS \_\_\_\_\_ 18 GA. STEEL  
FEET \_\_\_\_\_ PLASTIC

PLASTIC ENCLOSURE

**FINISH:**

TOP, BOTTOM & FEET \_\_\_\_\_ BLACK  
FRONT & REAR PANELS \_\_\_\_\_ CLEAR ANODIZED  
INTERNAL CHANNELS \_\_\_\_\_ ZINC PLATED

EIGHT (8) M2.5 x 4mm LG. SCREWS SUPPLIED FOR ASSEMBLING PANELS TO INTERNAL CHANNELS.

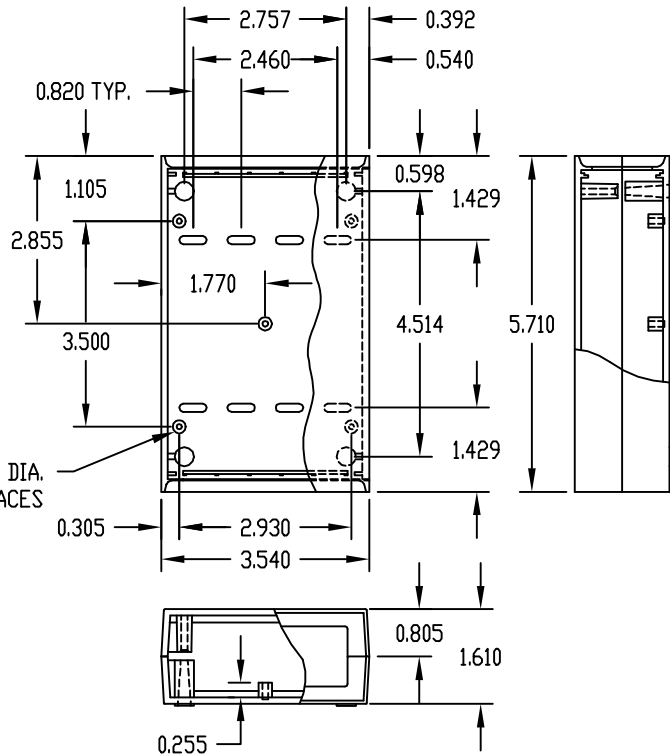
FOUR (4) M3.5 x 30mm LG. SCREWS SUPPLIED FOR ASSEMBLING TOP.

FOUR (4) FEET SUPPLIED.

MOUNTING BOSSSES USE EITHER M2.5 METRIC OR #4 STD. SHEET METAL SCREWS x 0.250" LG. (NOT SUPPLIED)

**NOTE:** ALL DIMENSIONS HAVE ±0.015 TOLERANCE UNLESS OTHERWISE SPECIFIED.

0.227 DIA. BOSS WITH 0.090 DIA. HOLE x 0.280 DEEP - (5) PLACES



INTERNAL METAL FRAME

